

TSR-3329

玻璃釉微調電位器

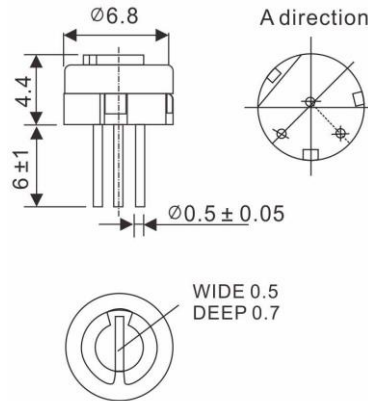
■ 單圈的/金屬陶瓷/工業用/密封
 ■ (Single Turn/ Cermet/ Industrial/ Sealed)

■ 4種引線的安裝尺寸
 ■ (4 Terminal Styles)

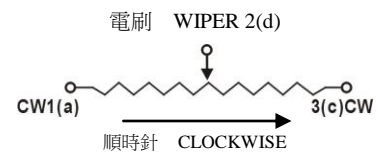
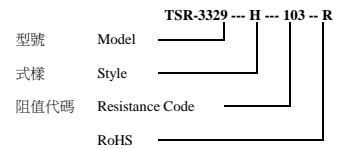


電氣特性 Electrical Characteristics	
標稱阻值範圍 Standard Resistance Range	100Ω - 2MΩ
阻值允許偏差 Resistance Tolerance	±10% (±20% only for 10 ohm)
終端電阻 Absolute Minimum Resistance	≤1% R or 10n
接觸電阻變化 Contact Resistance Variation	CRV≤3% or 5n
絕緣電阻 Insulation Resistance	R1≥1GΩ(500Vdc)
耐電壓 Withstand Voltage	500Vac
有效行程 Effective Travel	230°

共有尺寸 Common Dimensions
TSR-3329



訂購指南 How to Order



圖中公差：除注明外均為±0.25
Tolerance is ±0.25 if no identification

環境特性 Environmental Characteristics	
額定功率 Power Rating (300volts max)	0.5W@70°C
溫度範圍 Temperature Range	-55°C ~ +125°C
溫度系數 Temperature Coefficient	General offer ±250x10 ⁻⁶ /°C (±100ppm/°C is available if request.)
溫度變化 Temperature Variation	-55°C, 30min, +125°C, 30min, 5 cycles ΔR≤±2%R, Δ(Uab/Uac)≤±2%
振動 Vibration	10 - 500Hz, 0.75mm, 6h ΔR≤±1%R, Δ(Uab/Uac)≤±2%R
碰撞 Collision	390m/s ² , 4000cycles, ΔR≤±1%R
70°C 耐久性 Electrical Endurance at 70°C	0.5W@70°C 1000h, ΔR≤±(5%R+0.1Ω), CRV≤±3%R or 5Ω
機械壽命 Rotational Life	200 cycles ΔR≤±(10%R+0.5Ω), CRV≤±3%R or 5Ω

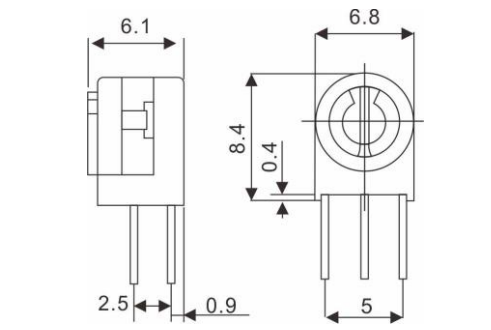
阻值代碼表

Standard Resistance table

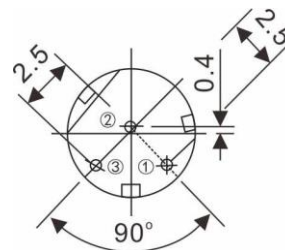
Resistance(Ohms)	Resistance Code
100	101
200	201
500	501
1,000	102
1,500	152
2,000	202
2,500	252
3,000	302
5,000	502
10,000	103
15,000	153
20,000	203
25,000	253
30,000	303
50,000	503
100,000	104
150,000	154
200,000	204
250,000	254
300,000	304
500,000	504
1,000,000	105
2,000,000	205

可按用戶要求提供特殊規格
Special resistances available.

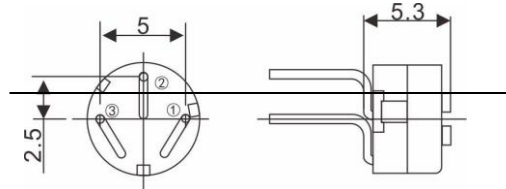
物理特性 Physical Characteristics	
起動力矩 Starting Torque	≤35mN·m
標誌 Marking	阻值允許偏差(±10%不標注) 阻值代碼-產品型號 Resistance Tolerance (When no identification, it is of ± 10%) Resistance Code, Model
標準包裝 Standard Packaging	50 只/管 (50pcs, per tube)



TSR-3329H

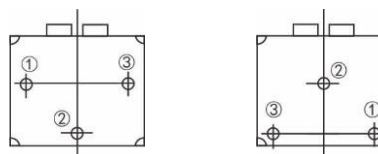


TSR-3329P



TSR-3329S

TSR-3329W



Note: Specification are subject to change without notice. For more detail and update, please visit our website.