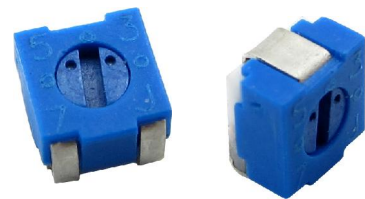


**DISCONTINUED**

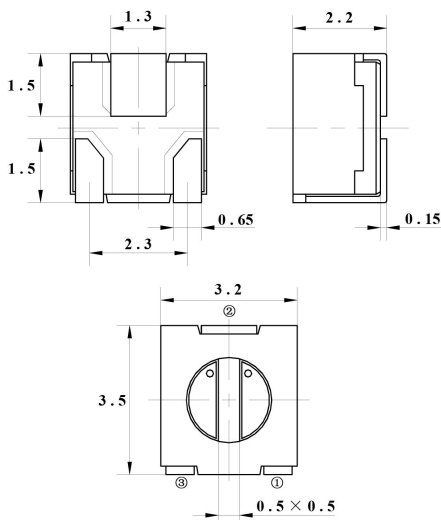
# TSR-3313



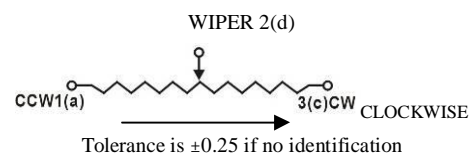
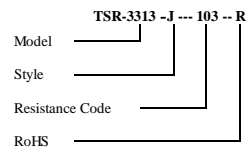
Electrical Characteristics	
Standard Resistance Range	50Ω - 1MΩ
Resistance Tolerance	±10%, ±20% (50Ω)
Terminal Resistance	≤±1%R or 2Ω (whichever is larger)
Contact Resistance Variation	(CRV) ≤ ±3%R or 3Ω (whichever is larger)
Insulation Resistance	≥1GΩ(500V DC)
Withstand Voltage	101.3 kPa 600V · 8.5 kPa 250V
Effective Travel	11±2 turns nom

Common Dimensions (mm)

TSR-3313J

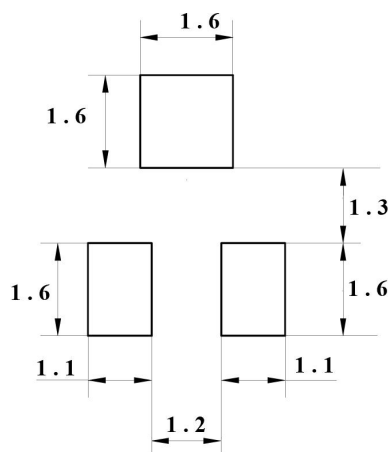


## How to Order



Environmental Characteristics	
Power Rating	0.25W(70°C) 0W(125°C)
Temperature Range	-55°C ~ +125°C
Temperature Coefficient	±250ppm/°C
Temperature Variation	R <sub>s</sub> ±2%R · Δ(Uab/Uac)≤±1%
Vibration	10 – 500Hz, 0.75mm, 6h ΔR <sub>s</sub> ±1%R · Δ(Uab/Uac)≤±2%
Collision	390m/s <sup>2</sup> , 4000cycles, ΔR <sub>s</sub> ≤±1%R
Electrical Endurance at 70°C	0.25W · 1000h · ΔR <sub>s</sub> ±3%R
Rotational Life (200 cycles)	ΔR <sub>s</sub> ≤±(10%R+0.5Ω), CRV≤±3% or 5Ω

RECOMMENDED PCB LAYOUT- "J"



## Resistance Table

Resistance(Ohms)	Resistance Code
50	500
100	101
200	201
500	501
1,000	102
2,000	202
5,000	502
10,000	103
20,000	203
50,000	503
100,000	104
200,000	204
500,000	504
1,000,000	105

Special resistances available.

Physical Characteristics	
Starting Torque	≤10mN·m
Stop Torque	≥25mN·m
Standard Packaging	1000pcs, per tape reel

Note: Specifications are subject to change without notice. For more detail and update, please visit our website.