

TSR-04

FEATURES

- Rated Power: 1W
- Single-turn
- Precision Adjustable
- Reliable Performance
- Small Size
- High Precision



Technical indicators

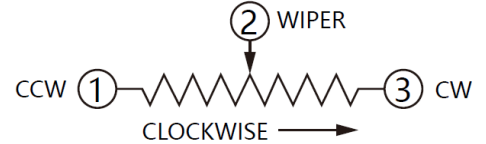
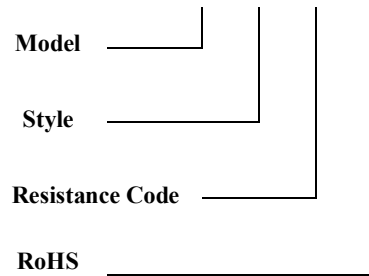
Standard Resistance Range	50Ω~10KΩ
Temperature Coefficient	±100ppm/°C
Power Rating	1W/40°C
Maximum operating voltage	220V
Resistance Tolerance	±10%
Maximum contact current	100mA
End Resistance	2Ωmak
Adjustment Angle	mech.258°±5°, elektr.270°±5°
Withstand voltage (at room temperature)	AC1000V
Insulation Resistance	More than 1000MΩ at DC500V
Shaft torque	3.5~100mN.m
Resistance law	B(Lin.)
Insulation resistance	1GMΩ
Rotation life	5,000 cycles without discontinuity
welding	T≤260°C, t≤3s

Physical Characteristics

Total rotation angle	300° ± 5 °
Starting Torque	35Ncm.
Stop Strength	100Ncm.
Standard package	20pcs /box

How to Order

TSR – 04 – 203 – R

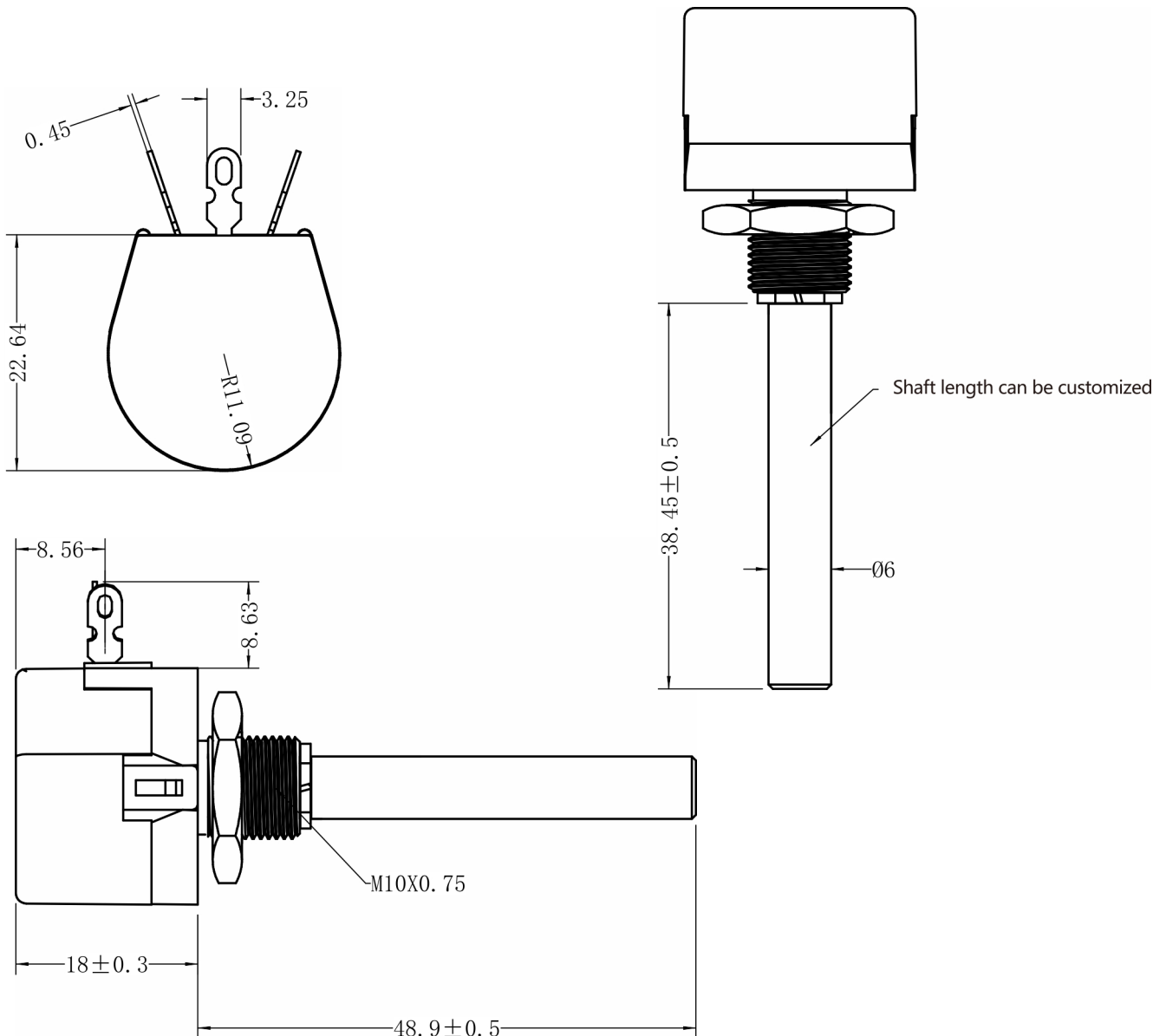


Resistance Table

Resistance(Ohms)	Resistance Code
50	500
100	101
200	201
500	501
1,000	102
2,000	202
5,000	502
10,000	103

TSR-04

Common Dimensions: mm



Tolerance is ±0.5 if no identification

Support special customization (semicircular shaft/flat shaft, long shaft/short shaft and etc)

Note: Specifications are subject to change without notice. For more detail and update, please visit our website.