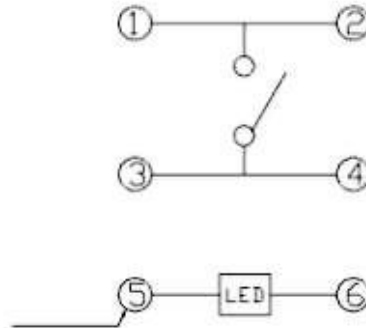
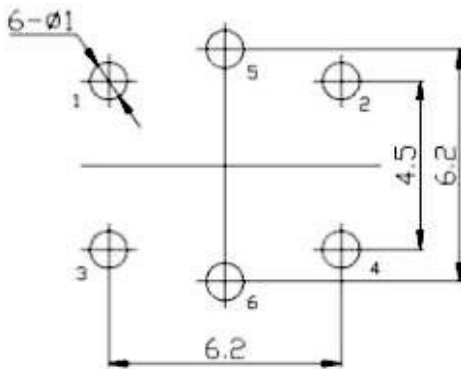
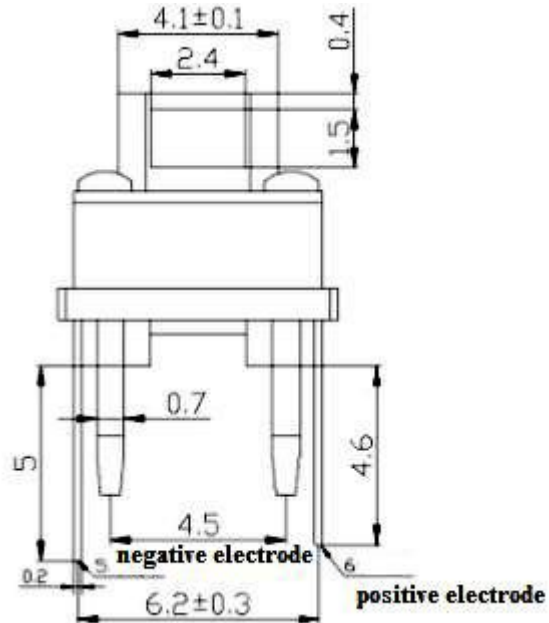
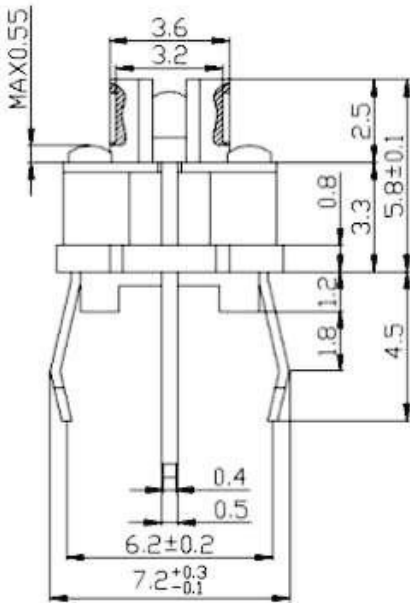
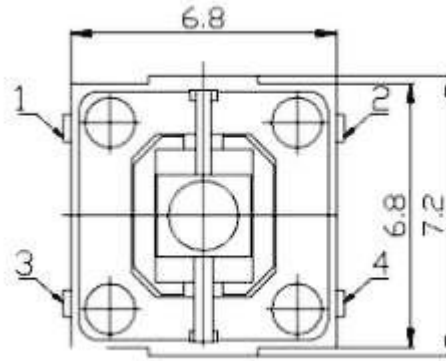
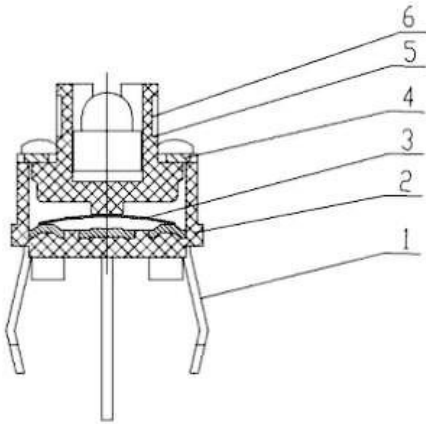


TACT SWITCH

Suntan®

TSS-TC-1194



CODE	OPERATING FORCE(gf)
X	160±50

SPECIFICATIONS

1. RATING:DC 12V 50mA
2. TRAVEL:0.25±0.1mm
3. CONTACT RESISTANCE 100mΩ MAX
4. LIFE: normal 50,000~100,000 times
(over 100,000 times on request)

General Tolerance: ±0.2mm

Note: Specification are subject to change without notice. For more detail and update, please visit our website.