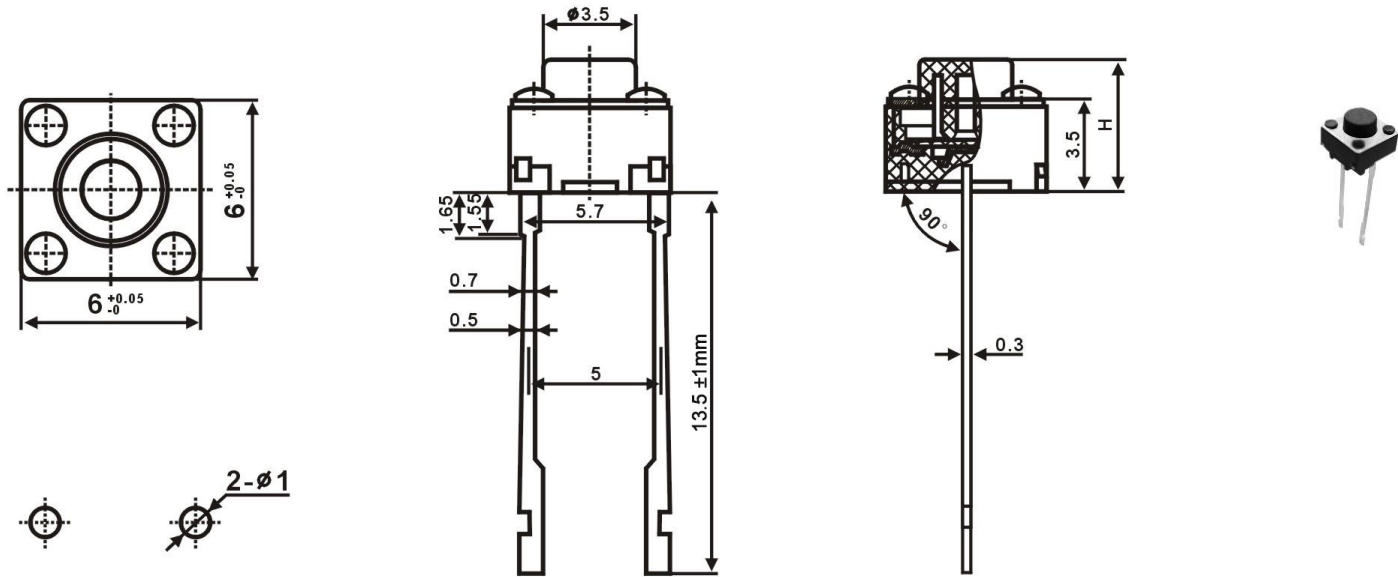


# TACT SWITCH

Suntan®

TSS-TC-0302



General Tolerance:  $\pm 0.2\text{mm}$

MODEL NO	H (mm)
TSS-TC-0302	4.3
TSS-TC-0303	5
TSS-TC-0304	7

CODE	OPERATING FORCE(gf)
T	100 $\pm$ 30
V	130 $\pm$ 30
X	160 $\pm$ 50
W	170 $\pm$ 50
Y	190 $\pm$ 50
Z	250 $\pm$ 100

## SPECIFICATIONS

1. RATING:DC 12V 50mA
2. TRAVEL:0.25  $\pm$  0.1mm
3. CONTACT RESISTANCE 100m  $\Omega$  MAX
4. LIFE: normal 50,000~100,000 times  
(over 100,000 times on request)

\*\*We also can supply below H, please send us your inquiry by e-mail and remark what stem length you need.

8mm, 8.5mm

Note: Specification are subject to change without notice. For more detail and update, please visit our website.