

ALUMINUM ELECTROLYTIC CAPACITOR

Suntan®

FOR P.F.C CIRCUIT

TS13D CDPC

FEATURES

- Withstands high-ripple currents generated by the voltage doubler rectifier system of an inverter air conditioner.
- Adopting special electrode foil and electrolyte exclusive to this series has make high reliability a reality.
- Capacitors for voltage doubler rectifiers are available in pairs in a series.

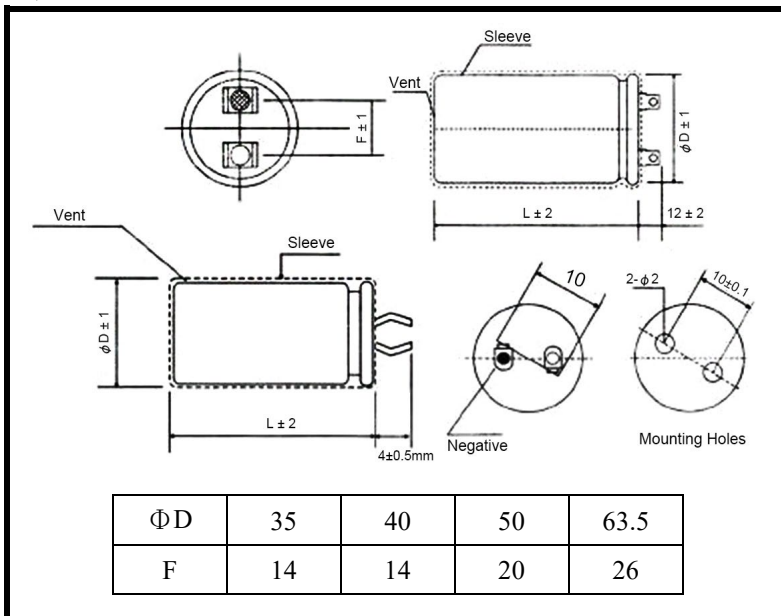


◆ Specifications

I T E M S		P E R F O R M A N C E C H A R A C T E R I S T I C S	
Terminal Type	Snap-in (PCB Type)	Lug (U Type)	
Rated Voltage Range(V)	250,400	250,400	
Operating Temperature Range(°C)	-25~+85		
Capacitance Tolerance(25°C, 120Hz)	±10%		
Leakage Current(μA)	0.01CV or 1.5mA, whichever is greater. (at 25°C, after 5 minutes) Where, C: Nominal capacitance (μF) V: Rated voltage (V)		
Dissipation Factor(20°C, 120Hz)	0.05	0.05	
Load Life (+85°C)	Time	2000hours	
	Leakage Current	Not more than the specified value.	
	Capacitance Change	Within±20% of the initial value	
	Dissipation Factor	Not more than 200% of the specified value.	
Shelf Life (+85°C)	Time	500hours	
	Leakage Current	Not more than the specified value.	
	Capacitance Change	Within ±20% of the initial value	
	Dissipation Factor	Not more than 200% of the specified value.	
After Test: U _R to be applied for 60 minutes, 24 to 48 hours before measurement			

◆ Dimensions

mm



◆ Multiplier for ripple current

Frequency coefficient

Frequency(Hz)	50,60	120	400	1K	≥10K
Factor	0.8	1.0	1.32	1.46	1.61

Temperature coefficient

Temperature(°C)	+45	+60	+70	+80	+85
Factor	1.73	1.50	1.30	1.10	1.0

TS13D CDPC

◆ STANDARD RATINGS (Snap-in (PCB Type))

WV (V) / Cap (uF)	250			400		
	45	--	--	--	30x40	0.05
55	--	--	--	30x40	0.05	1.70
75	--	--	--	35x50	0.05	1.98
82	--	--	--	35x50	0.05	2.00
100	35x40	0.05	1.90	--	--	--
110	35x40	0.05	2.00	--	--	--
165	35x45	0.05	2.45	--	--	--
180	35x50	0.05	2.58	--	--	--
195	35x50	0.05	2.68	--	--	--
210	35x50	0.05	2.78	--	--	--
220	35x50	0.05	2.80	--	--	--
	Case Size (□DxL, mm)	Tg δ (25°C 120Hz)	Ripple Current (Arms 85°C 120Hz)			

Lug (U Type)

WV (V) / Cap (uF)	250			400		
	90	--	--	--	35x80 or 40x80	0.05
100	--	--	--	35x90 or 40x90	0.05	3.2
110	--	--	--	35x100 or 40x100	0.05	3.3
150	--	--	--	35x100 or 40x100	0.05	3.9
165	--	--	--	40x100	0.05	4.1
200	40x100	0.05	3.80	--	--	--
220	40x100	0.05	4.00	40x100	0.05	4.7
330	40x100	0.05	4.85	--	--	--
360	40x100	0.05	5.10	--	--	--
390	40x100	0.05	5.30	--	--	--
420	40x100	0.05	5.50	--	--	--
440	40x100	0.05	5.60	--	--	--
	Case Size (□DxL, mm)	Tg δ (25°C 120Hz)	Ripple Current (Arms 85°C 120Hz)			

Note: Specification are subject to change without notice. For more detail and update, please visit our website.