

ALUMINUM ELECTROLYTIC CAPACITOR

Suntan®

125°C, 1000 HOURS

TS13D CD265

FEATURES

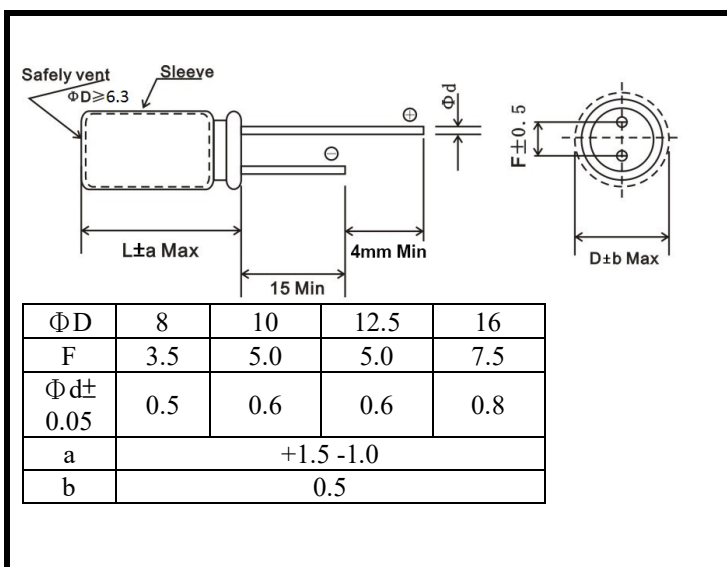
- Load life of 1000 hours at 125°C (Equivalent to 16000 hours life at 85°C)
- Very low leakage current

◆ Specifications

I T E M S		P E R F O R M A N C E C H A R A C T E R I S T I C S							
Operating Temperature Range(°C)	-40~+125								
Capacitance Tolerance(25°C, 120Hz)	±20%								
Leakage Current(μA)	0.002CV or 2 μA whichever is greater. (at 25°C, after 5 minutes) C: Nominal Capacitance (μF) V: Rated Voltage (V)								
Dissipation Factor(25°C, 120Hz)	Rated Voltage	10	16	25	35	50	63	100	
	Tan δ	0.20	0.17	0.17	0.12	0.10	0.10	0.10	
Temperature Stability (120Hz)	Rated Voltage	10	16	25	35	50	63	100	
	Impedance	Z-25°C/Z+20°C	2	2	2	2	2	2	
	Ratio	Z-40°C/Z+20°C	8	6	4	4	4	4	
Load Life (125°C)	Time	1000hours							
	Leakage Current	Not more than the specified value.							
	Capacitance Change	Within±15% of the initial value							
	Dissipation Factor	Not more than 150% of the specified value.							
Shelf Life (125°C)	500 hours. No voltage applied. After test:U _R to be applied for 30 minutes, 24 to 48 hours before measurement.								

◆ Dimensions

mm



◆ Multiplier for ripple current

Frequency coefficient						
Freq(Hz)	60(50)	120	500	1K	≥10K	
Cap(μF)						
0.47~47	0.8	1.0	1.2	1.3	1.5	
100~1000	0.8	1.0	1.1	1.15	1.2	

ALUMINUM ELECTROLYTIC CAPACITOR

Suntan®

105°C, EXTRA LOW IMPEDANCE, LONG LIFE

TS13D CD265

◆ STANDARD RATINGS

WV (V) / Cap(μF)	10		16		25		35		50		63		100	
	Size	Ripple	Size	Ripple	Size	Ripple	Size	Ripple	Size	Ripple	Size	Ripple	Size	Ripple
	□DxL (mm)	mAms	□DxL (mm)	mAms	□DxL (mm)	mAms	□DxL (mm)	mAms	□DxL (mm)	mAms	□DxL (mm)	mAms	□DxL (mm)	mAms
0.47	--	--	--	--	--	--	--	--	8x11.5	3.6	--	--	8x11.5	4.8
1	--	--	--	--	--	--	--	--	8x11.5	9	--	--	8x11.5	12
2.2	--	--	--	--	--	--	--	--	8x11.5	18	--	--	8x11.5	24
3.3	--	--	--	--	--	--	--	--	8x11.5	27	8x11.5	30	10x12.5	33
4.7	--	--	--	--	--	--	--	--	8x11.5	33	8x11.5	36	10x12.5	39
10	--	--	--	--	--	--	--	--	8x11.5	51	8x11.5	54	10x20	57
22	--	--	--	--	--	--	8x11.5	72	10x12.5	90	10x12.5	96	12.5x25	102
33	--	--	--	--	8x11.5	72	10x12.5	102	10x12.5	114	10x16	126	16x25	150
47	--	--	8x11.5	81	8x11.5	87	10x12.5	120	10x16	150	10x20	171	16x25	192
100	8x11.5	105	10x12.5	141	10x16	165	10x20	222	12.5x20	282	12.5x25	306	--	--
220	10x16	207	10x20	261	10x20	279	12.5x25	405	16x25	510	16x25	525	--	--
330	10x16	252	12.5x20	360	12.5x25	420	16x25	573	16x25	642	--	--	--	--
470	10x20	342	12.5x25	462	16x25	573	16x31.5	762	--	--	--	--	--	--
1000	16x25	708	16x25	774	--	--	--	--	--	--	--	--	--	--

Note: Specification are subject to change without notice. For more detail and update, please visit our website.