

ALUMINUM ELECTROLYTIC CAPACITOR

105°C, 5MM HEIGHT

Suntan®

DISCONTINUED

FEATURES

- Load life of 1000 hours at 105°C
- 5mm height at case dia, 4-6.3mm

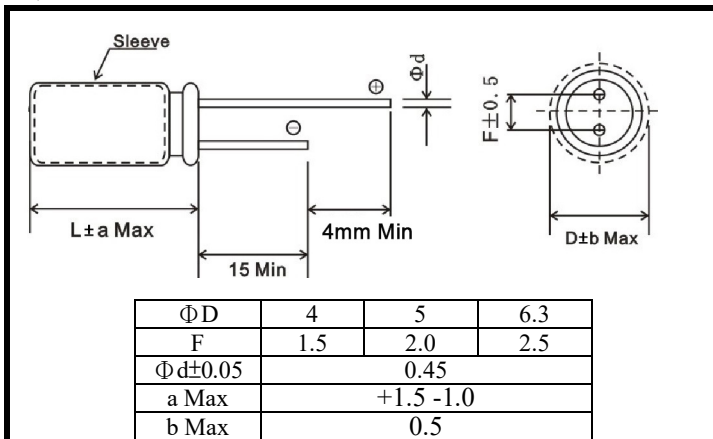
TS13D CD50H



◆ Specifications

ITEMS	PERFORMANCE CHARACTERISTICS						
Temperature Range(°C)	-40~+105						
Leakage Current(μA)	Less than 0.01CV or 3 whichever is larger (at 25°C, after 2 minutes) C: Capacitance(μF), V: Voltage(V)						
Capacitance Tolerance (25°C, 120Hz)	±20%						
Dissipation Factor (25°C, 120Hz)	Rated voltage(V)	6.3	10	16	25	35	50
	Tan δ	0.28	0.24	0.20	0.14	0.12	0.10
Temperature Stability (120Hz)	Rated Voltage(V)	6.3	10	16	25	35	50
	Impedance ratio	Z-25°C/Z+20°C	3		2		
		Z-40°C/Z+20°C	8	5	4	3	
Load Life (+105°C)	Time	1000 hours					
	Leakage current	Initial specified value or less					
	Capacitance change	Within±20% of initial value					
	Dissipation factor	200% or less of initial specified value					
Shelf Life (+105°C)	Test time 500hours, Others have same as load life Pretreatment performed						

◆ Dimensions



◆ Multiplier for ripple current

Frequency coefficient

Freq(Hz)	50,60	120	1K	10K~100K
Rated voltage(v)				
6.3~16	0.64	0.80	0.92	1.0
25~35	0.57	0.71	0.89	1.0
50	0.53	0.67	0.90	1.0

Temperature coefficient

Temperature (°C)	+70 or less	+85	+105
Factor	2.1	1.8	1

◆ Standard ratings

WV(v)	6.3		10		16		25		35		50	
	Size(mm)	Ripple mArms	Size(mm)	Ripple mArms	Size(mm)	Ripple mArms	Size(mm)	Ripple mArms	Size(mm)	Ripple mArms	Size(mm)	Ripple mArms
0.1	--	--	--	--	--	--	--	--	--	--	4x5	3
0.22	--	--	--	--	--	--	--	--	--	--	4x5	5
0.33	--	--	--	--	--	--	--	--	--	--	4x5	6
0.47	--	--	--	--	--	--	--	--	--	--	4x5	8
1	--	--	--	--	--	--	--	--	--	--	4x5	11
2.2	--	--	--	--	--	--	--	--	--	--	4x5	17
3.3	--	--	--	--	--	--	--	--	4x5	17	4x5	20
4.7	--	--	--	--	4x5	15	4x5	18	4x5	20	5x5	27
10	--	--	4x5	20	4x5	23	5x5	31	5x5	34	6.3x5	45
22	4x5	26	5x5	34	5x5	38	6.3x5	53	6.3x5	57	--	--
33	5x5	33	5x5	43	6.3x5	56	6.3x5	66	--	--	--	--
47	5x5	45	6.3x5	58	6.3x5	65	--	--	--	--	--	--
100	6.3x5	78	--	--	--	--	--	--	--	--	--	--

Ripple Current: 105°C, 100KHz

Note: Specification are subject to change without notice. For more detail and update, please visit our website.