

# AXIAL TYPE ALUMINUM ELECTROLYTIC CAPACITORS

Suntan®

NON-POLARIZED (BI-POLARIZED)

# TS13AF



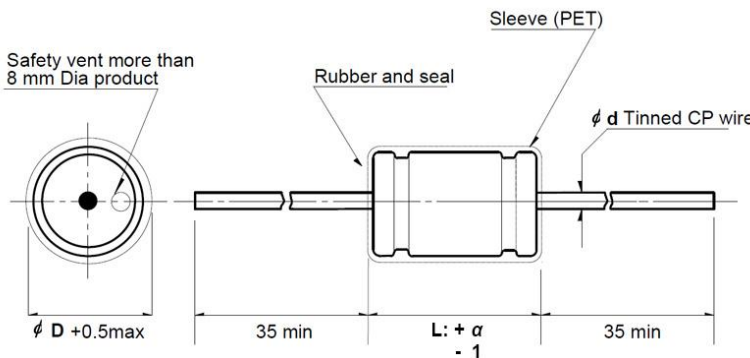
## FEATURES

- Low Dissipation Factor
- Specially produced for Cross-Over Networks with high fidelity audio system
- High-quality crossover non-polar aluminum electrolytic capacitors
- Product mainly used: audio converters and dividers (partials), Audio amp, auton

I T E M S C H A R A C T E R I S T I C	
Operating Temperature Range (°C)	-40°C ~ +105°C
Capacitance Tolerance	±10% ( K ) at 120Hz
Voltage Range	50V, 100V
Leakage Current	MAX. 0.03CV + 3µA After 5 minutes application of rated working voltage
Load Life	After 1,000 hours application of rated voltage at 105 ±2°C, capacitors meet the characteristics requirement listed at right. (a) Capacitance change: Within ±25% of initial (b) Tan δ:200% or less of initial specified (c) Leakage current : Install specified value or less
MAX Dissipation Factor	MAX 10% at 120Hz

## DIAGRAM OF DIMENSIONS

Unit:mm



## LEAD DIAMETER

ØD	6	8	10	1	16	18	22	25
Ød	0.6	0.6	0.6	0.6	0.8	0.8	0.8	0.8
α	0.8	0.8	1.5	2.0	2.0	2.0	2.0	2.0

## DIMENSIONS: Diameter (DØ) x Length (L) mm

V.DC	50V (1H)	100V (2A)	V.DC	50V (1H)	100V (2A)
µF	ØDxL	ØDxL	µF	ØDxL	ØDxL
47	10x19	13x27	350	16x38	18x44
68	13x27	13x32	400	16x42	22x44
82	13x27	13x32	500	16x42	22x44
100	13x27	16x34	600	16x42	25x52
150	13x32	16x34	700	18x44	25x52
220	13x32	16x42	800	18x44	25x52
250	13x32	16x42	900	18x44	25x52
300	16x34	18x44	1000	22x44	25x52
330	16x34	18x44	--	--	--

Note 1: We can provide more DF values as following 3%, 4%, 5%, 6%, 7%, 8%, 9%, 12%.

Note 2: The color of the product sleeve ( PET ) varies slightly from batch to batch.

Note 3: Specifications are subject to change without notice. For more detail and update, please visit our website.