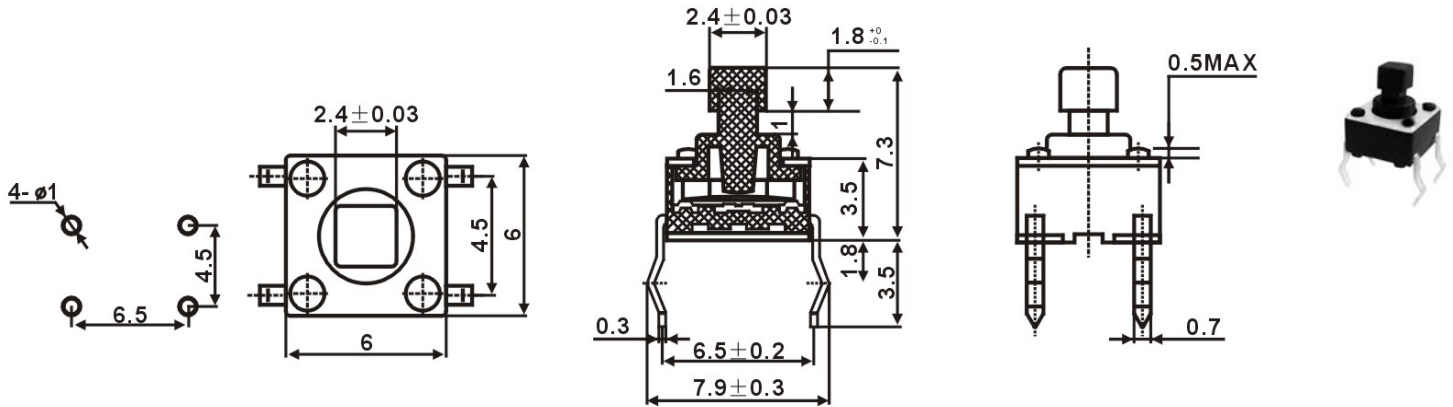


## TSS-TC-2401



MODEL NO	Stem Dimension	Stem length(mm)
TSS-TC-2401	2.4×2.4mm	3.6
TSS-TC-2402	2.4×2.4mm	3.9
TSS-TC-2801	2.8×2.8mm	3.6

CODE	OPERATING FORCE(gf)
T	100±30
V	130±30
X	160±50
W	170±50
Y	190±50
Z	250±100

### SPECIFICATIONS

1. RATING:DC 12V 50mA
2. TRAVEL: $0.25 \pm 0.1$ mm
3. CONTACT RESISTANCE  $100\text{m}\Omega$  MAX
4. LIFE: normal 50,000~100,000 times  
(over 100,000 times on request)

\*\*We also can supply below stem length, please send us your inquiry by e-mail and remark what stem length you need.

1.5mm, 1.6mm, 2.5mm, 2.7mm, 3.0mm, 3.1mm, 3.2mm, 3.4mm, 3.7mm, 3.8mm, 4.3mm, 4.5mm, 4.8mm, 5mm, 5.4mm, 5.5mm, 6mm, 6.5mm, 7mm, 7.5mm, 7.7mm, 8mm, 8.5mm, 9mm, 9.5mm, 10mm, 11mm, 11.5mm, 12mm, 12.5mm, 13mm, 14mm, 15mm, 15.3mm, 17mm, 18mm, 20mm, 21mm

Note: Specification are subject to change without notice. For more detail and update, please visit our website.

**Suntan**® Technology Company Limited Website: [www.suntan.com.hk](http://www.suntan.com.hk) Email: [info@suntan.com.hk](mailto:info@suntan.com.hk) Tel: (852) 8202 8782 Fax: (852) 8208 6246