

TS12S-S

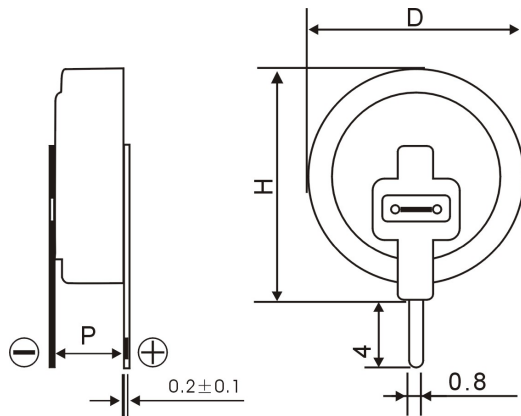
FEATURES

Small size but large capacity
Low leakage, safety and high reliability

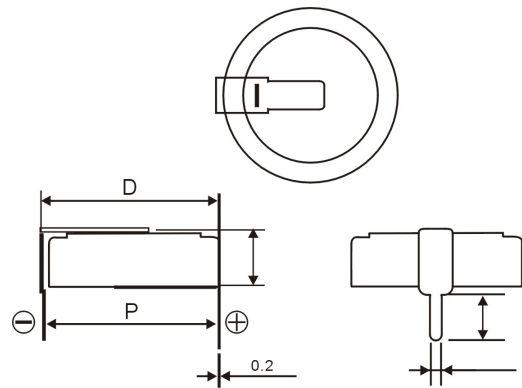
DISCONTINUED



SPECIFICATIONS	
Rated Capacity	0.15F---8.0F
Operating temperature	-25 to +70°C
Rated working voltage	2.7V---5.5VDC
Surge Voltage	3.0---6.0V
Capacitance tolerance	-20% to +80%
Internal resistance	<3 Ω ---<100 Ω
Charging Voltage	≤2.7V---≤5.5V
Low temperature performance	change in capacity: ≤ 50% of the value of measurement; change in inner resistance: 3 times of the value of measurement
Endure(After 1000 h)	change in capacity: ≤ 30% of the value of measurement; change in inner resistance: 4 times of the value of measurement
Operating temperature	-25 - 70°C
Storage temperature	-20 - 45°C



V type



H type

Part Number	Operating Voltage (V)	Cap (F)	ESR (Ω) Max	V Type(mm)			H Type(mm)		
				ΦD±1.0	H±1.0	P±1.0	ΦD±1.0	H±1.0	P±1.0
TS12SS2R7474	2.7	0.47	30	9.7	11.4	2.2	9.7	2.2	10.0
TS12SS2R7664	2.7	0.66	25	9.7	11.4	2.9	9.7	2.9	10.0
TS12SS2R7105	2.7	1.0	20	12.8	13.8	2.2	12.8	2.2	13.0
TS12SS2R7165	2.7	1.6	20	16.0	17.3	2.2	16.0	2.2	16.0
TS12SS2R7205	2.7	2.0	15	19.0	19.6	2.2	19.0	2.2	20.0
TS12SS2R7305	2.7	3.0	12	20.2	20.5	1.8	20.2	1.8	20.8
TS12SS2R7605	2.7	6.0	8	20.2	20.7	3.4	20.2	3.4	20.8
TS12SS2R7805	2.7	8.0	5	24.8	25.8	3.2	24.8	3.2	25.4
TS12SS5R5154	5.5	0.15	100	7.1	7.5	4.4	7.1	4.4	7.2
TS12SS5R5224	5.5	0.22	60	9.7	11.4	4.6	9.7	4.6	10.0
TS12SS5R5334	5.5	0.33	50	9.7	11.4	5.8	9.7	5.8	10.0
TS12SS5R5474	5.5	0.47	40	12.8	13.8	4.4	12.8	4.2	13.0
TS12SS5R5804	5.5	0.8	30	16.0	17.3	4.8	16.0	4.6	16.0
TS12SS5R5105	5.5	1.0	30	19.0	19.6	4.6	19.0	4.2	20.0
TS12SS5R5155	5.5	1.5	24	20.2	20.5	5.0	20.2	3.5	20.8
TS12SS5R5405	5.5	4.0	10	24.8	25.8	6.6	24.8	6.2	25.4

Note: Specification are subject to change without notice. For more detail and update, please visit our website.